

3-wheel electric tow tractor

TTE30

Towing Capacity 3000 kg

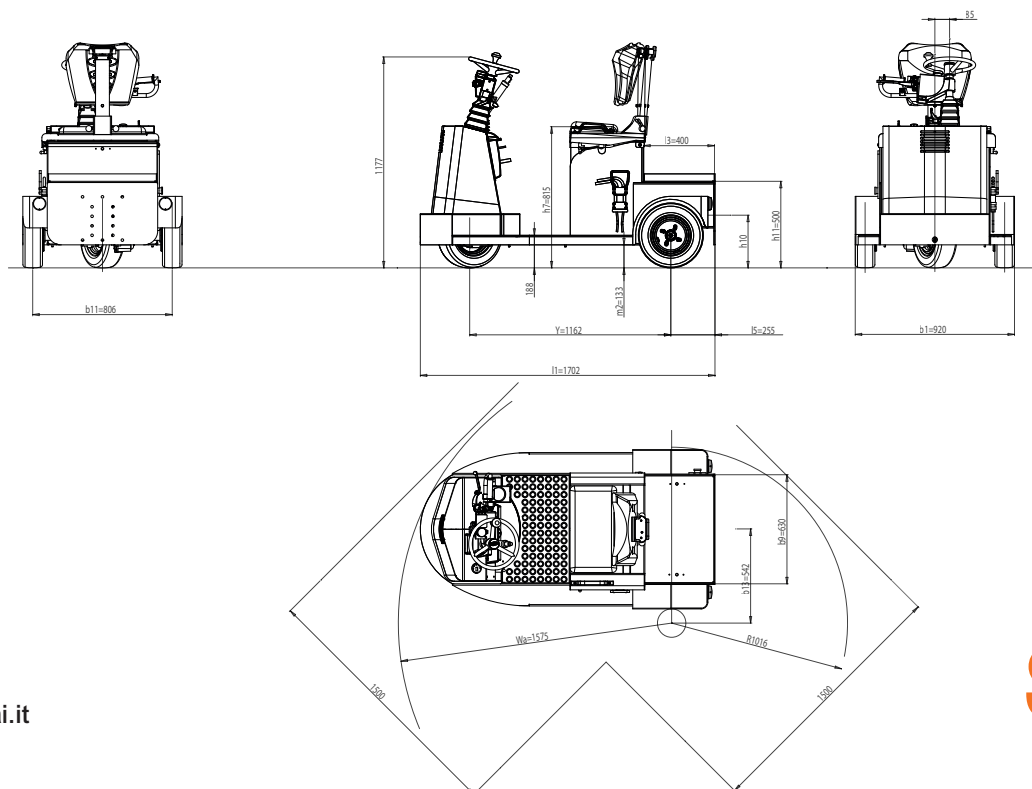


3-wheel tow tractor, man on board, with rear-wheel drive. Extremely compact and easy to drive, ideal for LEAN handling duties.

- “Shock resistant” **supporting chassis** ensures maximum exploitation of induction motor torque.
- **Drum service brake** acts on 2 rear wheels with motorbike-like lever. Electromagnetic parking brake. Preset electrical **braking**, operating automatically when accelerator handgrip is released, with first stroke of brake lever and on reversing direction.
- Fifth wheel mechanical **steering**.
- **1 operator on board**. Optimised driving position for maximum comfort and efficiency, low step-on platform for comfortable access as well as user-friendly and ergonomic dashboard. Throttle accelerator. TTE30 is designed to be driven in a seated position over long stretches and in a standing position for delivery and picking operations along production line or in warehouse.
- “**Man on board**” device with seat occupancy sensor and sensor floor mat for driving while sitting or standing.

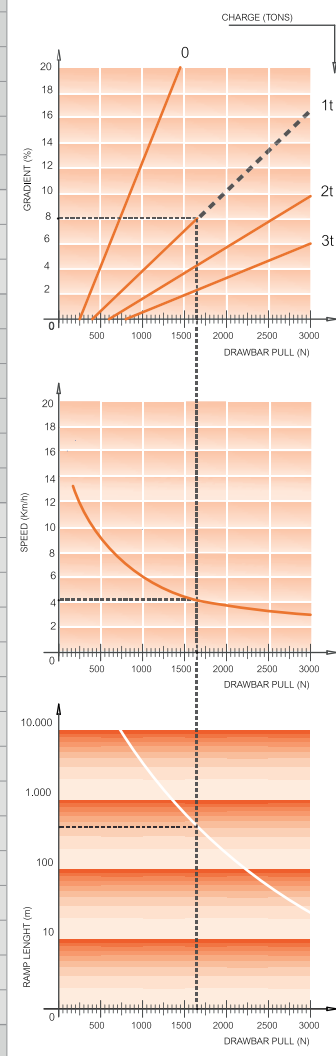
- **Lighting system:** 1 front light, 2 rear lights (position/brake lights). Horn. Flashing light, reversing light and blue lights available upon request.
- **Multifunction digital dashboard** with battery charge indicator, fault detection and hour meter.
- **Induction motor** equipped with encoder, thermal probes and negative electromagnetic parking brake with manual brake disengage lever.
- **Electronic speed control of AC motor** with energy recovery during deceleration and braking. Several towing hitches available. Rear inching control to ease coupling operations.
- **Battery** DIN 43535B 24 V 360 Ah - fast replacement from the side or above. Standard paint finish: chassis dark grey RAL 7021/body light grey RAL 7035 or signal yellow RAL 1003. Other colours available upon request.

All parts are easy to access for fast and effective maintenance. Lower costs due to AC technology and modular design.



FEATURES	1.1	Manufacturer			SIMAI S.p.A.	
	1.2	Model			TTE30	
	1.3	Drive			Electric	
	1.4	Operator Type			Sitting / standing	
	1.5	Load Capacity	Q	t	0,1	
	1.5.1	Towing Capacity	Q	t	3	
	1.7	Rated Drawbar pull	F	N	1000	
	1.9	Wheelbase	Y	mm	1162	
	WEIGHT	2.1	Service weight (w/battery)		kg	523
2.2		Axle loading laden front/rear (with operator 80 kg. each)		kg	218 / 485	
2.3		Axle loading unladen front/rear		kg	178 / 345	
TIRES, CHASSIS	3.1	Tyres:Cushion(Cu),Superelastic(SE), Pneus(Pn) Poliurethane (PE)			SE/Pn	
	3.2	Tyre size front			15x4,5-8	
	3.3	Tyre size rear			15x4,5-8	
	3.5	Wheels nr. Front/Rear (X=motive)			1/2X	
	3.6	Tread front	b ₁₀	mm	-	
	3.7	Tread rear	b ₁₁	mm	806	
	DIMENSIONS	4.7	Height of roof/cabin	h ₆	mm	-
4.8		Seat height	h ₇	mm	815	
4.8.1		Step on platform height		mm	188	
4.12		Coupling height	h ₁₀	mm	215 - 270 - 325	
4.13		Loading height (min / MAX)	h ₁₁	mm	500	
4.16		Platform length	l ₃	mm	400	
4.17		Rear overhang	l ₅	mm	255	
4.18		Platform width	b ₉	mm	630	
4.19		Overall length	l ₁	mm	1702	
4.21		Overall width	b ₁	mm	920	
4.32		Ground clearance - centre of wheelbase	m ₂	mm	133	
4.35		Turning radius front	Wa	mm	1575	
4.35.1		Turning radius rear		mm	1016	
4.36		Turning radius inner	b ₁₃	mm	542	
4.36.1		Aisle width when turning 90°		mm	1500	
PERFORMANCES	5.1	Travel speed laden/unladen		Km/h	7 / 12	
	5.5	Drawbar pull laden		N	-	
	5.5.1	Drawbar pull unladen		N	1000	
	5.6	Max. Drawbar pull laden/unladen		N	- / 3000	
	5.7	Gradeability laden/unladen		%	See chart	
	5.8	Max. Gradeability laden/unladen		%	See chart	
	5.10	Service / Parking brake (I=Hydraulic E=Electromagn. M=Mechanical)			I / E	
	5.10.1	Type of service brake front/rear			- / drum	
	MOTOR	6.1	Drive motor rating S2=60 min		kW	2
		6.1.1	Hydrauling steering motor rating S2=60 min		kW	-
6.3		Battery according to DIN 43531 / 35 / 36 A, B, C, no			43535 B	
6.4		Battery voltage	U	V	24	
6.4.1		Battery rated capacity	K ₅	Ah	320 - 360	
6.5		Battery weight		kg	280 - 307	
6.6		Energy consumption (VDI cycle)		kWh/h	-	
OTHER DATA	8.1	Drive Control			Inverter AC	
	8.4	Sound level at driver's ear according to DIN 12053		dB(A)	69	
	8.5	Towing coupling, type DIN			-	

READING EXAMPLE:
 CHARGE = 1 TONS
 GRADIENT = 8 %
 DRAWBAR PULL = 1650 N
 SPEED = 4.2 Km/h
 MAX PRACTICABLE RAMP LENGHT = 400 m



As per VDI guidelines 2198, this datasheet applies to standard electric tractor / platform truck only. Dimensions are not binding and can be changed in any moment. The performances must be intended for brand new machines, after having completed the running-in tested in San Donato Milanese Factory in normal climatic conditions. Performances and weight are to be intended with standard motors and battery (reported in bold) and with pneumatic tires. Some data can vary according to different equipments.

